

Product: BODY ADYNA MINI 433

Product Order Code:
BM-02 RANGE

Low Profile Rugged Antenna

Body Mounted 433MHz (ISM)

- Low profile robust wideband antenna
- RoHS 2011/65/EU & RoHS3 (2015/863/EU compliant)
- Request samples for test & evaluation via enquiry@bloomice.com



Technical Data

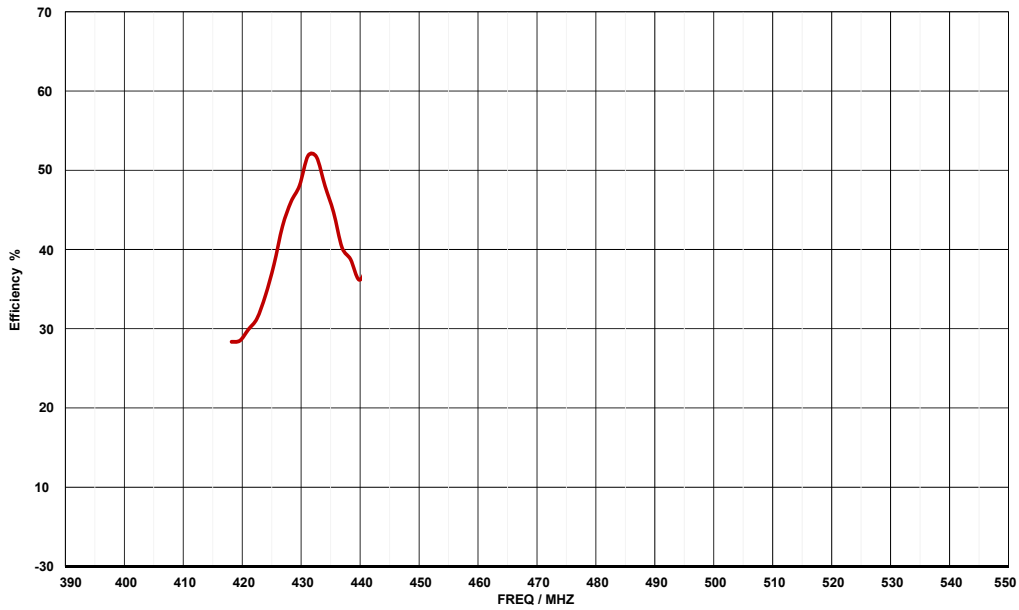
Dimensions	46.6mm (D) x 14.5mm (H) (Excluding self adhesive pad)
Weight	48g
Construction Materials	Brass Thread / Nut PC/ABS UL94 V0 UV Stable
Mounting Arrangement	M10 Split Nut combined with 3M Adhesive Pad Mounting on any surface (glass, metal, plastic etc.)
Temperature Range	-40 – +85° C
Protection Class	IP68 (IEC 60529)
Frequency Range	ISM 433: 433 MHz
Impedance	50 Ohm
Polarisation	Linear
Gain	0dBi
Radiation Pattern	Omni-Directional
Max Power @ 30°C	30 Watts
Return loss (VSWR)	≤ 1.5:1
Radiator Type	Folded Monopole
Cable types Available	LL100 50 Ohm Low Loss / RG174 / RG316
Cable Length	According to customer specification
Connector	According to customer specification
Test & Measurement Conditions	300mm x 300mm Ground Plane / 1000mm LL100 Cable

dBi: Referenced to an isotropic radiator

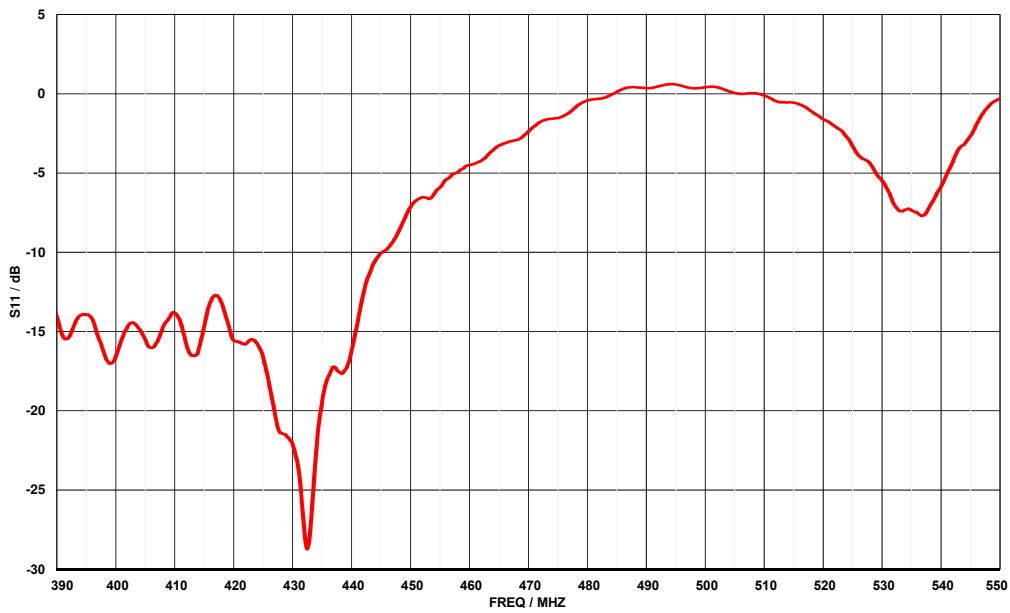
Product: BODY ADYNA MINI 433

Product Order Code:
BM-02 RANGE

Radiated Efficiency



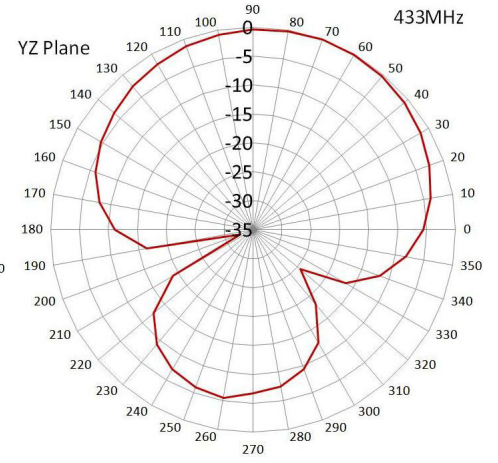
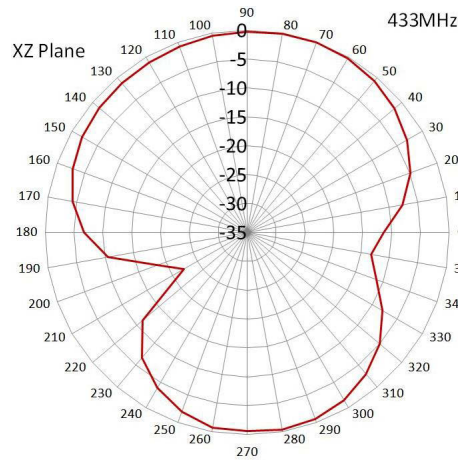
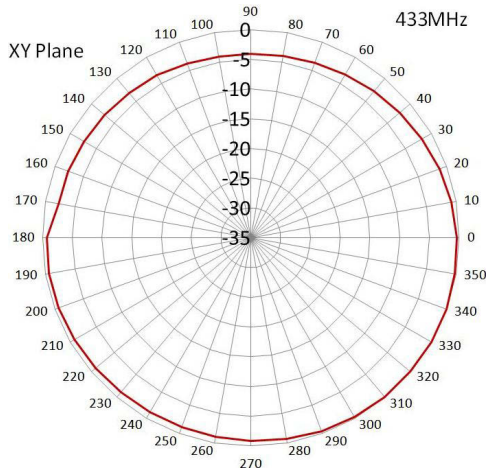
VSWR Data



Product: BODY ADYNA MINI 433

Product Order Code:
BM-02 RANGE

Radiation Pattern



CAD Data

